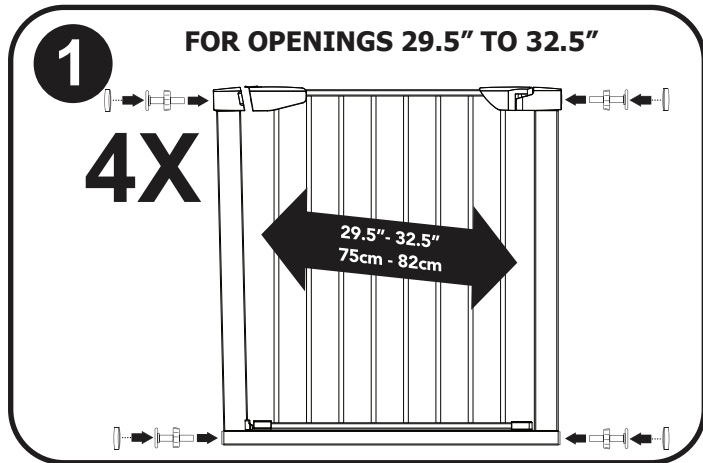
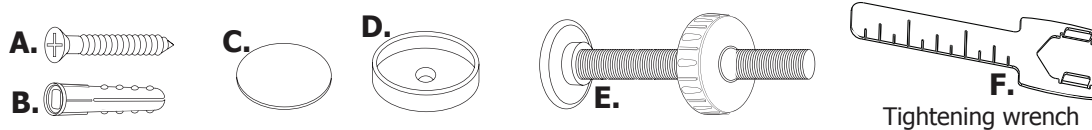


EXTRA TALL PREMIER PRESSURE GATE - MODEL XTTPPG

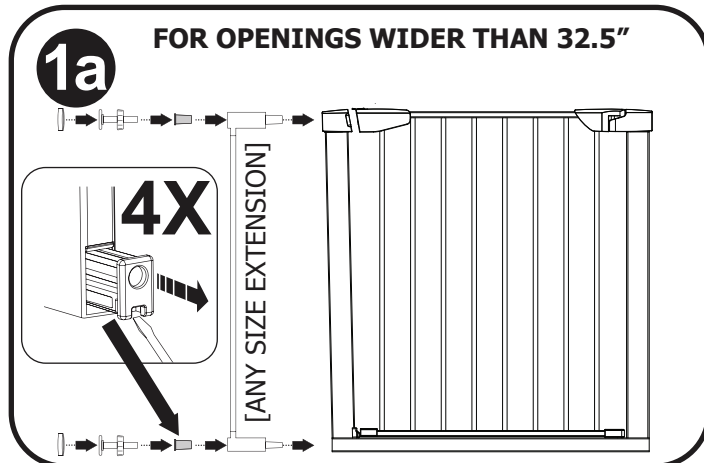
FOR OPENINGS 29.5" to 32.5" (75cm - 82cm). Extensions available for wider openings. Sold separately.

ASSEMBLY INSTRUCTIONS

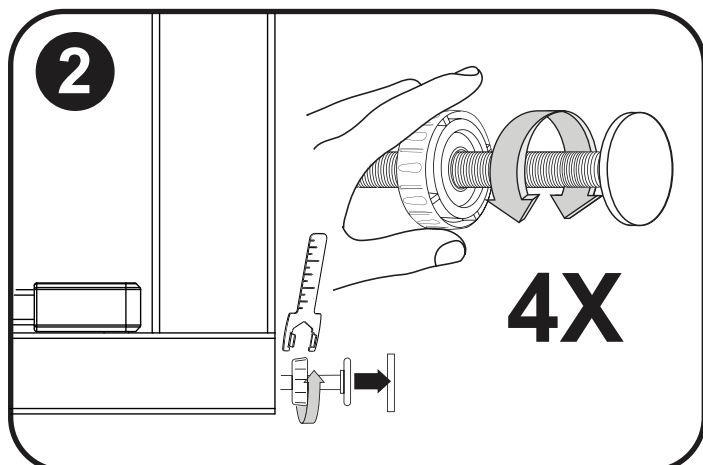
THIS GATE IS NOT RECOMMENDED FOR TOP OF STAIRWAY USE.



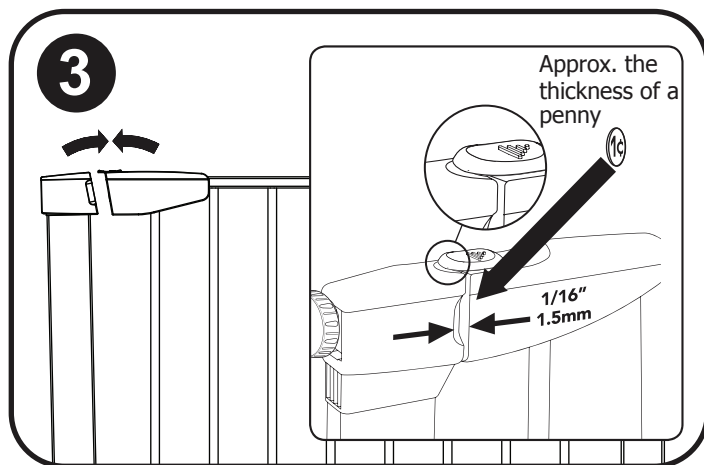
1. Insert part (E) as shown on all four corners of the gate. (Make sure flat end faces gate.)



2. Remove standard inserts on all four corners. Put extension inserts into gate tubing and then put standard inserts into extension, then part (E).

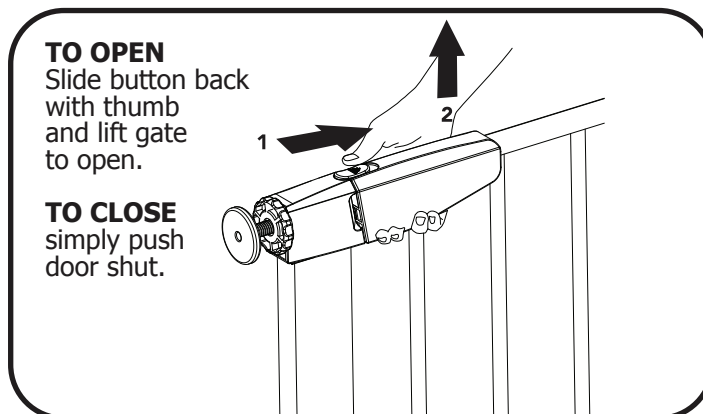


3. Twist to secure gate in opening. If needed, use wrench (F) to tighten.



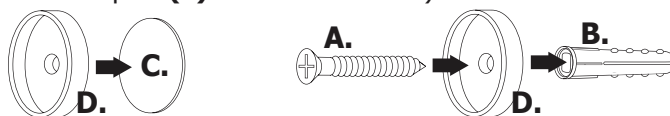
4. For smooth gate operation, make sure gate is level and the latch gap is only 1/16" (penny width). **NOTE: Too loose or tight will cause latch to not function properly.**

GATE OPERATION



FOR GREATER STABILITY USE WALL MOUNT DISCS: (optional)

After **STEP 4**, (and satisfied with gate operation) mark placement on wall. (Using a pencil, lightly trace around ends of part (E) that touches wall.)



If using anchors, mark center circle of (D) on wall and insert (B) in drywall. Use stick pad (C) to hold disc on on mark. Mount disc onto wall using screw (A).

! WARNING: TO PREVENT SERIOUS INJURY OR DEATH, SECURELY INSTALL GATE OR ENCLOSURE AND USE ACCORDING TO MANUFACTURER'S INSTRUCTIONS. NEVER USE WITH A CHILD ABLE TO CLIMB OVER OR DISLODGE/OPEN THE GATE ENCLOSURE. NEVER LEAVE CHILD UNATTENDED. USE ONLY WITH THE LOCKING/LATCHING MECHANISM SECURELY ENGAGED. INTENDED FOR USE WITH CHILDREN FROM 6 MONTHS- 24 MONTHS. THIS PRODUCT WILL NOT PREVENT ALL ACCIDENTS. TO PREVENT FALLS, NEVER USE AT TOP OF STAIRS. FOR MAXIMUM SAFETY, ALWAYS KEEP GATE CLOSED WHEN NOT IN USE.

! MISE EN GARDE: INSTALLER CONFORMÉMENT AUX INSTRUCTIONS DU FABRICANT. DESTINE AUX ENFANTS DE 6 À 24 MOIS. CET ARTICLE NE PRÉVIENT PAS NÉCESSAIREMENT TOUS LES ACCIDENTS. NE JAMAIS LAISSER L'ENFANT SANS SURVEILLANCE.

GATE MAINTENANCE

To clean, rinse with lukewarm water, wash gently with mild soap or detergent and lukewarm water, using a soft cloth or sponge. Rinse again. Dry with a soft cloth or sponge to prevent water spotting. DO NOT SCRUB or use brushes or squeegees.

GATE CARE & REMINDERS

Our gates are built to last many years with proper use and care. Here are a few suggestions...

- Close gates gently - do not slam - to prevent damage to latch mechanism.
- When closing, be sure latch on gate frame engages as depicted in instructions.
- For safety, always close gate when not in use. Children should not be allowed to swing on an open gate.
- Periodically check all screws, bolts, etc. for security and proper adjustment.

CARDINAL GATES, INC., offers many accessories such as extensions, stair kits, and other safety products. Check with your dealer or call **CARDINAL GATES, INC.** at 1-800-318-3380.

We sincerely hope that you thoroughly enjoy many years of service from your **CARDINAL GATE**.

GATE WARRANTY

Your Cardinal Gate is warranted to be free of manufacturing defects for a period of one year from the date of purchase when used in homes, and according to manufacturers instructions. When used commercially, such as day care centers, the warranty is 90 days.

Cardinal Gates, Inc. will either repair or replace, at our option, any parts necessary to correct defects in material or workmanship during the warranty period. The warranty disclaims liability for incidental, special and consequential damages of any nature.

TO EXERCISE WARRANTY:

Ship your gate in a protective carton, freight prepaid to:
CARDINAL GATES, INC.
79 Amlajack Way
Newnan, GA 30265

You must include the following:

1. Proof of purchase (store receipt, etc.).
2. Brief note describing problem with gate.
3. Full return address along with phone number.

FOR FURTHER ASSISTANCE

Call 1-800-318-3380

CARDINAL GATES 

If it's a Cardinal, It's the Best!

79 Amlajack Way
Newnan, GA 30265
770-252-4200
www.cardinalgates.com