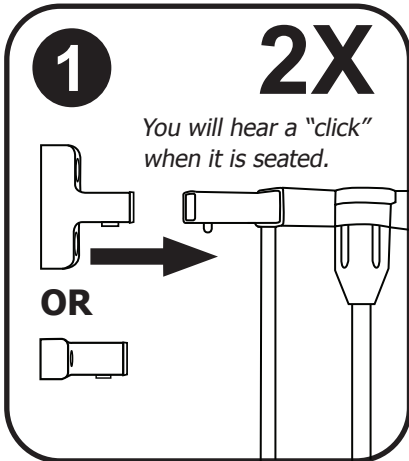


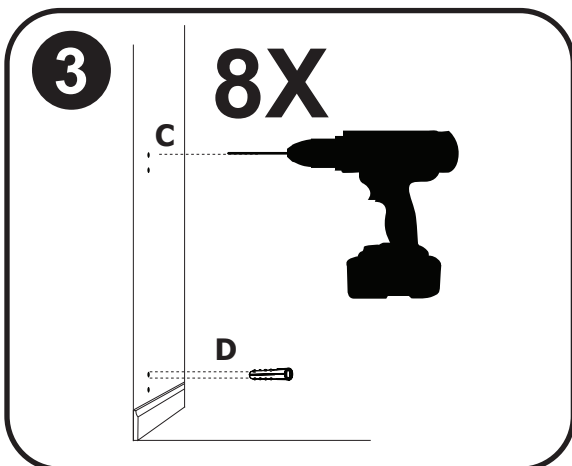
# XPANDAGATE - MODEL EX100

FOR OPENINGS 30" (78cm) - 90" (228cm)

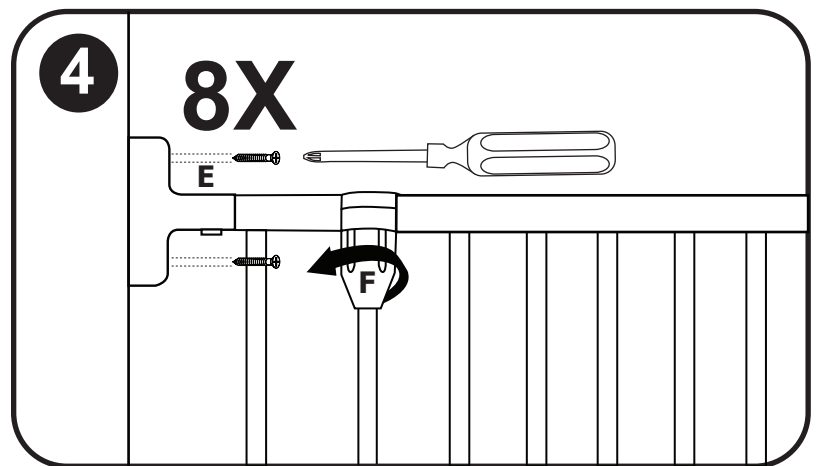
## ASSEMBLY INSTRUCTIONS



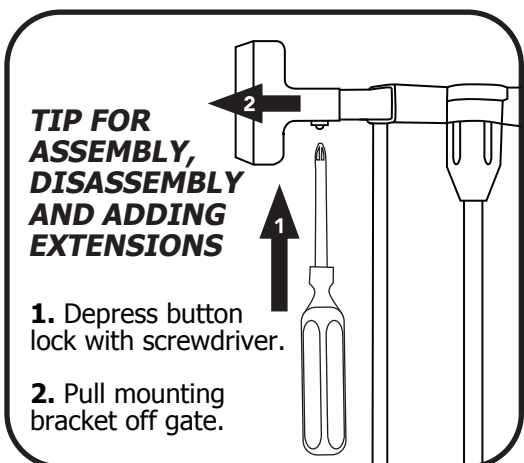
1. Use appropriate mounting bracket to ensure screws are anchored in wood. If not possible, use drywall anchors.
2. With gate sitting on the floor, expand gate to fit opening and mark and mark for mounting all four (4) mounting brackets (A). Bottom mounting brackets can slide up to mount above baseboard if needed (B), but mount as close to floor as possible for maximum stability.



3. Drill holes (C) for plastic anchor (into drywall) or pilot hole (for wood mounting). Insert plastic anchors into drywall, if applicable (D).



4. Install gate with 1" screws (E). Position gate into final desired angles. Twist tight all joints (F) counterclockwise to secure gate into final position.



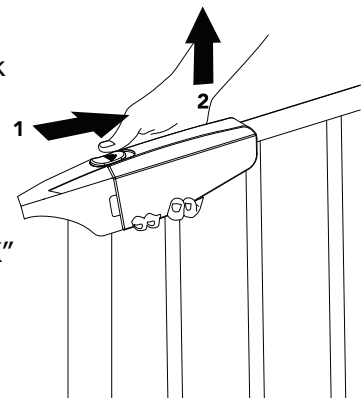
## GATE OPERATION

### TO OPEN

Slide button back with thumb and lift gate to open.

### TO CLOSE

Push gate shut. Listen for "CLICK" to ensure gate is locked.



GATE IS RECOMMENDED FOR CHILDREN BETWEEN 6 AND 24 MONTHS.

**! WARNING:** CHILDREN HAVE DIED OR BEEN SERIOUSLY INJURED WHEN ENCLOSURES ARE NOT SECURELY INSTALLED. ALWAYS INSTALL AND USE ENCLOSURES AS DIRECTED USING ALL REQUIRED PARTS. STOP USING WHEN A CHILD CAN CLIMB OVER OR DISLodge THE ENCLOSURE. USE ONLY WITH THE LATCHING MECHANISM SECURELY ENGAGED. TO PREVENT FALLS, NEVER USE AT THE TOP OF THE STAIRS. NEVER USE TO KEEP CHILD AWAY FROM POOL.

## GATE MAINTENANCE

To clean, rinse with lukewarm water, wash gently with mild soap or detergent and lukewarm water, using a soft cloth or sponge. Rinse again. Dry with a soft cloth or sponge to prevent water spotting. DO NOT SCRUB or use brushes or squeegees.

## GATE CARE & REMINDERS

Our gates are built to last many years with proper use and care. Here are a few suggestions...

- Close gates gently - do not slam - to prevent damage to latch mechanism.
- When closing, be sure latch on gate frame engages as depicted in instructions.
- For safety, always close gate when not in use. Children should not be allowed to swing on an open gate.
- Periodically check all screws, bolts, etc. for security and proper adjustment.

**CARDINAL GATES, INC.**, offers many accessories such as extensions, stair kits, and other safety products. Check with your dealer or call **CARDINAL GATES, INC.** at 1-800-318-3380.

We sincerely hope that you thoroughly enjoy many years of service from your **CARDINAL GATE**.

## GATE WARRANTY

Your Cardinal Gate is warranted to be free of manufacturing defects for a period of one year from the date of purchase when used in homes, and according to manufacturers instructions. When used commercially, such as day care centers, the warranty is 90 days.

Cardinal Gates, Inc. will either repair or replace, at our option, any parts necessary to correct defects in material or workmanship during the warranty period. The warranty disclaims liability for incidental, special and consequential damages of any nature.

### TO EXERCISE WARRANTY:

Ship your gate in a protective carton, freight prepaid to:  
**CARDINAL GATES, INC.**  
 79 Amlajack Way  
 Newnan, GA 30265

### You must include the following:

1. Proof of purchase (store receipt, etc.).
2. Brief note describing problem with gate.
3. Full return address along with phone number.

### FOR FURTHER ASSISTANCE

Call 1-800-318-3380

**CARDINAL GATES**  
 SAFETY PRODUCTS FOR CHILDREN, PETS & HOMES

79 Amlajack Way  
 Newnan, GA 30265  
 770-252-4200  
[www.cardinalgates.com](http://www.cardinalgates.com)